

Statement of Work

Assemble and Install 6 ea Credenza w/ Hutch at
Bldg 21001.

36 WG/PA

United States Air Force

10 Sep 2012

SCOPE OF WORK

Provide all necessary expertise, labor to deliver and assemble six (6) Credenza with Hutch in the PA Journalist section, located in 36 WG Public Affairs office, building 21001 Andersen Air Force Base. All equipment and materials for proper assembly and installation will be provided by award vendor.

DETAILED DESCRIPTION OF WORK

The contractor will deliver, assemble and install six(6) Credenza with Hutch desks in the PA Journalist section.

Description and measurements:

Product Description

Credenza with Hutch features an attractive contemporary design enhanced by the striking combination of a Classic Cherry top with a Soft Black base. Hard-gloss EverSheen surface is heat, stain and scratch resistant for incredible wearability.

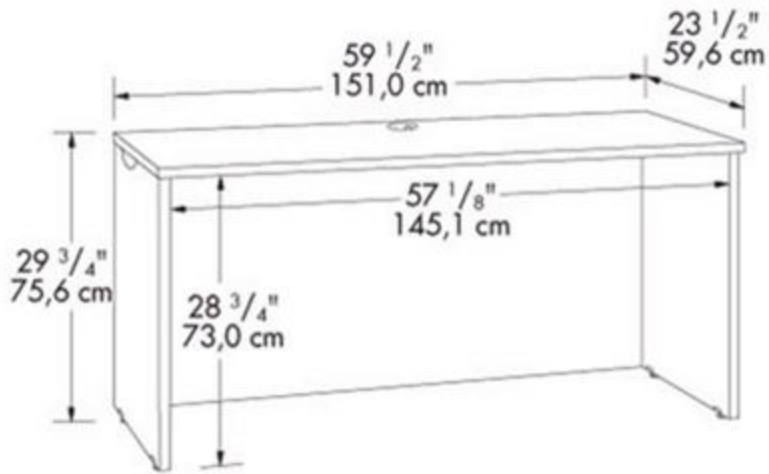
Credenza is designed for computer compatibility with surface grommets and wire management access underneath. Hutch adds storage capacity with four hidden storage cabinets and four open cubbies for easy access to papers, supplies or essential reference. Complete with fabric-covered bulletin board.

Two Mobile Vertical Files (2- and 3-drawer) are included with package. File drawers hold letter-, legal- or European-size hanging files and glide easily on full-extension slides to provide full access to files. Keyboard shelf and utility drawers have metal runners and safety stops. Vertical file drawers do not lock. Hidden casters offer easy mobility, allowing you to position files for convenient accessibility under Credenza or anywhere else around your office.

Dimensions: 59-1/2"W x 23-1/2"D x 68-3/4"H

Color/Finish: Cherry/Soft Black

Dimensions for Credenza



Dimensions for Hutch:

