

**SOLICITATION NUMBER:** F1CORH2108A001      **TITLE:** Prefab steel concrete embeds

**Notice Type:** Combined Synopsis/Solicitation      **Posted Date:** May 3, 2012

**Response Date:** May 9, 2012

**Set Aside:** 100% Small Business

**Classification Code:** 5680

**NAICS Code:** 332312

**Size Standard:** 500 Employees

---

#### **NOTICE INFORMATION**

**Agency/Office:** Pacific Air Forces

**Location:** 36 CONS – Andersen Air Force Base

Send Quotes to Dan Sindorf at [daniel.sindorf@us.af.mil](mailto:daniel.sindorf@us.af.mil). Oral Quotes will not be accepted. Responses to this Request For Quotation (RFQ) must be received via e-mail, by 5:00 PM , May 9, 2012 Chamorro Standard Time.

**Primary Point of Contact:** Dan Sindorf

**Secondary Point of Contact:**

**Contracting Office Address:**

Unit 14040

Andersen AFB, 96543-4040

**Title:** F1CORH2108A001

**Description:** Prefab steel concrete embeds

This is a combined synopsis/solicitation for commercial items prepared in accordance with the format in FAR Subpart 12.6, as supplemented with additional information included in this notice. This announcement constitutes the only solicitation; proposals are being requested and a written solicitation will not be issued. This solicitation, F1CORH2108A001, is being issued as a Request for Quotation. This solicitation document and incorporated provisions and clauses are those in effect through Federal Acquisition Circular (FAC) 2005-58. This procurement is a total small business set aside in accordance with FAR 19.502-2. The NAICS code is 332312 and the small business size standard is 500 employees

**The following commercial items are requested in this solicitation:**

Prefabricated black steel plate assemblies, cover plates, and insert plates. Please see attached specifications.

Required delivery date: *25 MAY 2012*

**Delivery and Acceptance is FOB Destination:**

Place of contract performance is Andersen Air Force Base, Yigo, Guam 96929

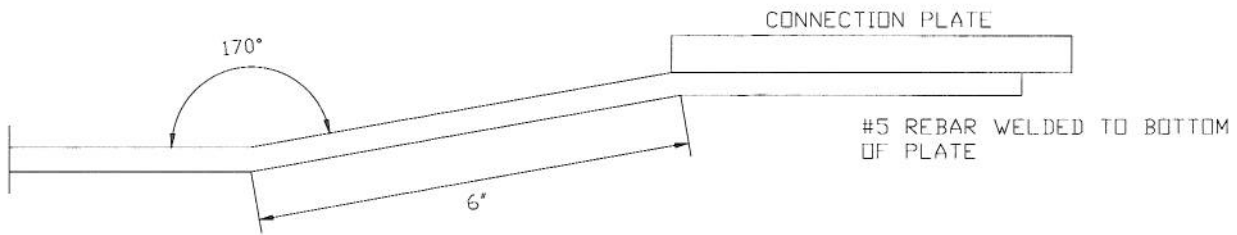
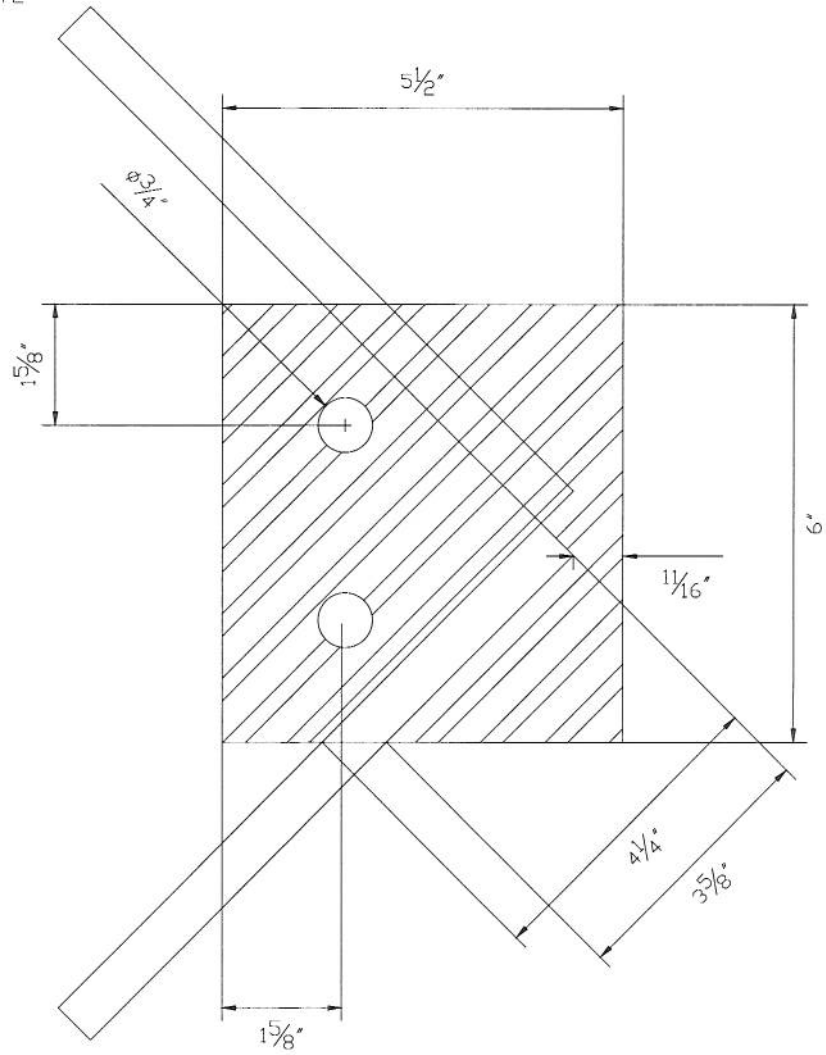
The following provisions and clauses apply to this acquisition: The provision FAR 52.212-1, Instructions to Offerors—Commercial Items. Quotes will be evaluated and awarded to the offeror with the lowest price and technically acceptable. The provision FAR 52.212-3 Alt 1, Offeror Representations and Certifications –Commercial Items. The clauses at; FAR 52.212-4, Contract Terms and Conditions- Commercial Items; FAR 52.212-5 Contract Terms and Conditions Required To Implement Statutes or Executive Orders—Commercial Items. The clause at DFARS 252.204-7004, Required Central Contractor Registration; DFARS 252.212.7001, Contract Terms and Conditions Required to Implement Statutes or Executive Orders applicable to Defense acquisitions of commercial items; DFARS 252.232-7003 Electronic Submission of Payments Request; DFARS 252.225-7001, Buy American Act and Balance of Payment Program. FAR 52.219-6 Notice of Total Small Business Set-Aside and FAR 52.204-7 Central Contractor Registration also apply. The Government reserves the right to award on multiple award or an all or none basis. **Firms must be registered in the Central Contractor Registration database @ [www. Acquisition.gov](http://www.Acquisition.gov) to be considered for award.**

Form 9  
SAKW 05-9004  
ESL Warehouse  
Embeds Order

CCIN  
0001  
0002  
0003  
0004

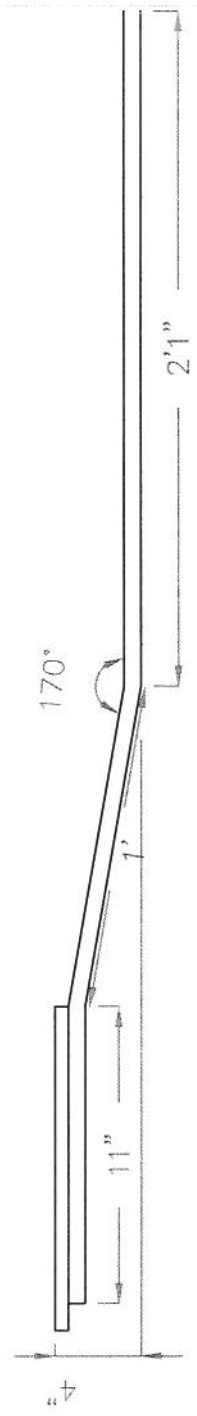
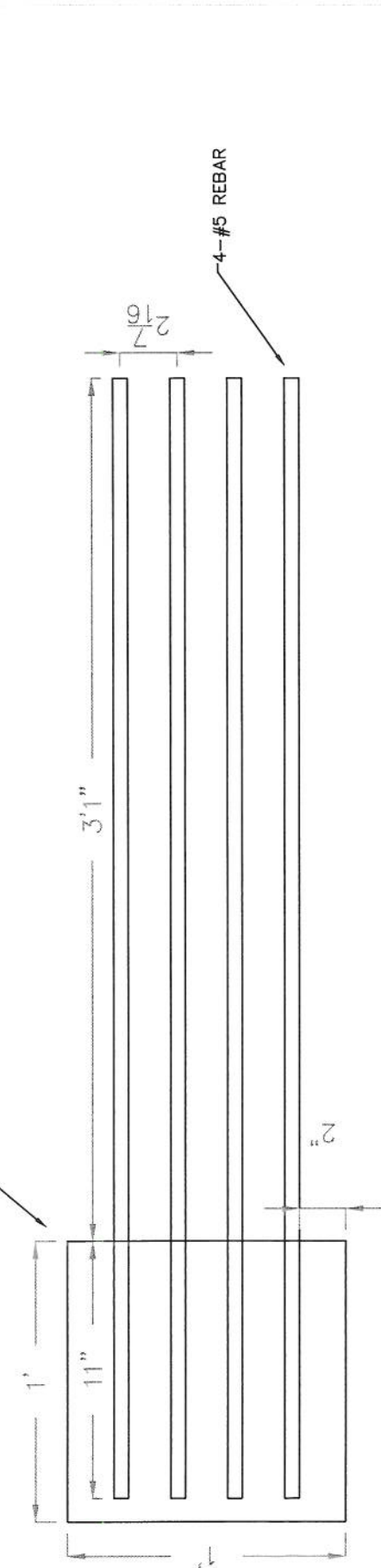
Item #	Description	QTY	Price	Cost
	1/2"x6"x6" plate ass'y w/ 2-#5 x 2'6" rebars	109		
	1/2" x 12" x 12" plate ass'y w/ 4 - #5 x 4' rebars	25		
	1/2"x4"x10" plates COVER	64		
	L6x6x1/2"x10" long INSERT	12		
	TOTAL			

#5 REBAR WELDED TO BOTTOM  
OF PLATE

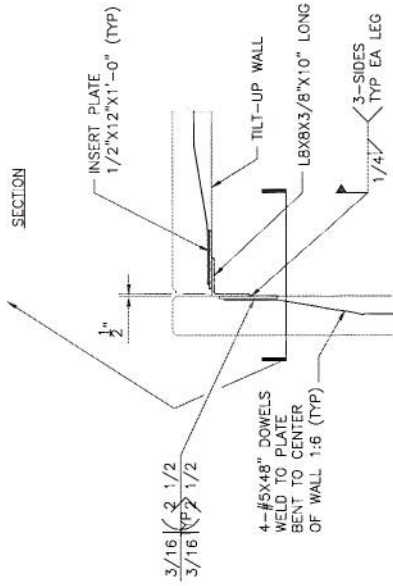
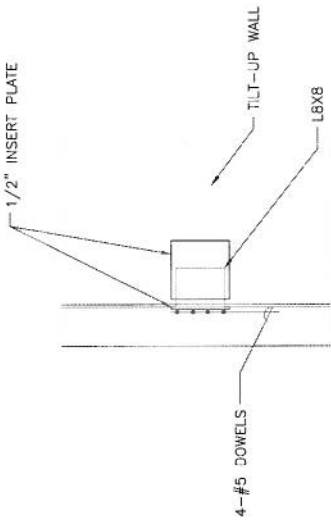


CLIN 0001

3/8" PLATE

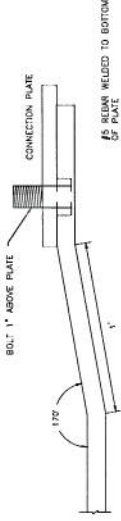
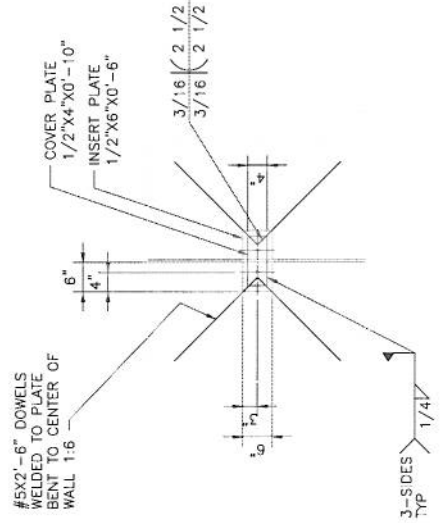


CLIN 0002

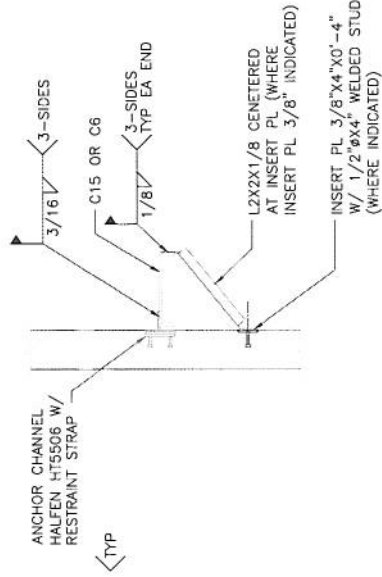


PLAN

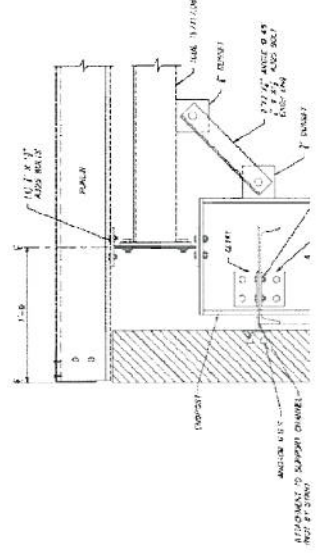
DETAIL SCALE: 1/16"=1'-0"



DETAIL SCALE: N.T.S.



SECTION SCALE: 1/16"=1'-0"



CLIN 0003  
CLIN 0004